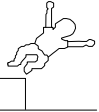
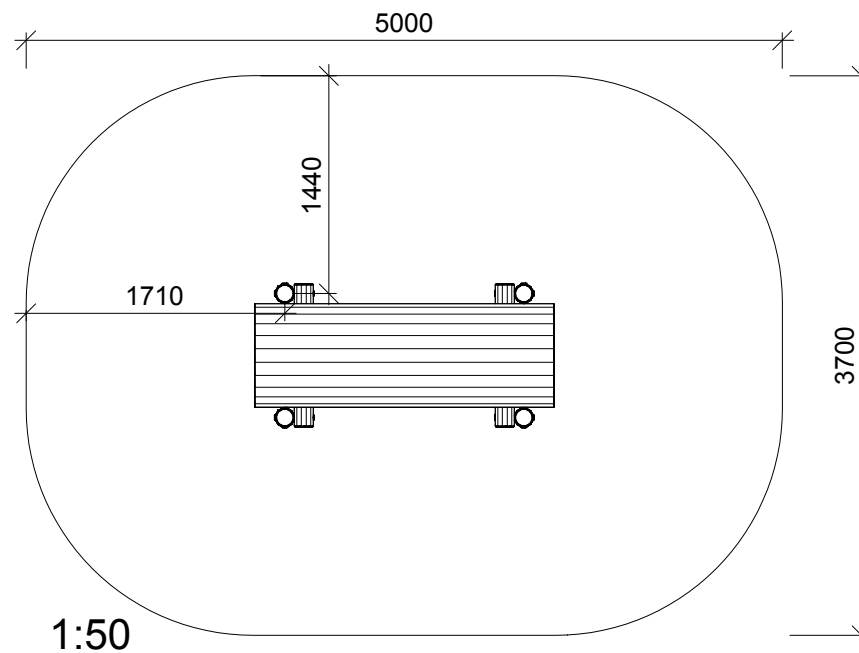
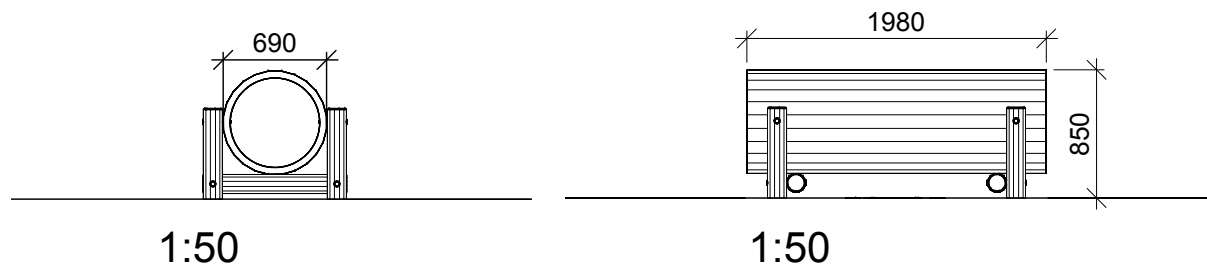
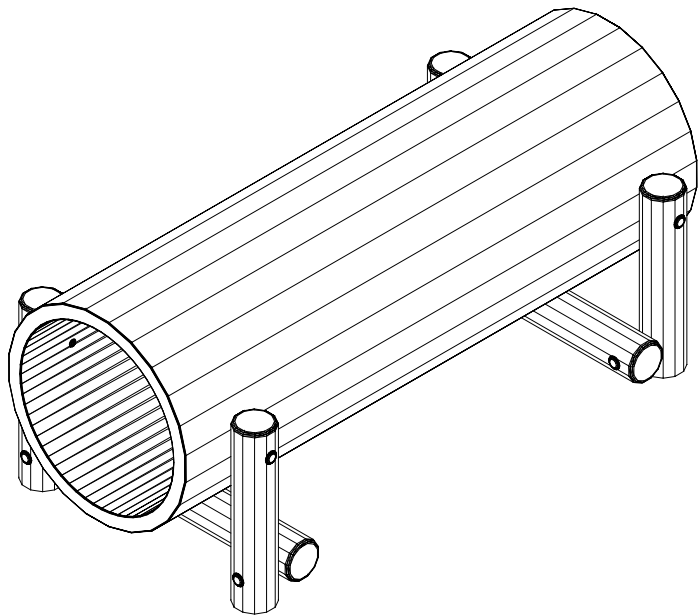


NORLEG	
Kravlerør	
LE 20542	
09.08.2004	REV. 16.12.2015

< 850



≥ EN 1176



This drawing is the property of NORLEG and pursuant to current legislation may not be copied, transferred to or used by any third party. Should this drawing be used, a fee of 10% of the assumed contract price will be charged.

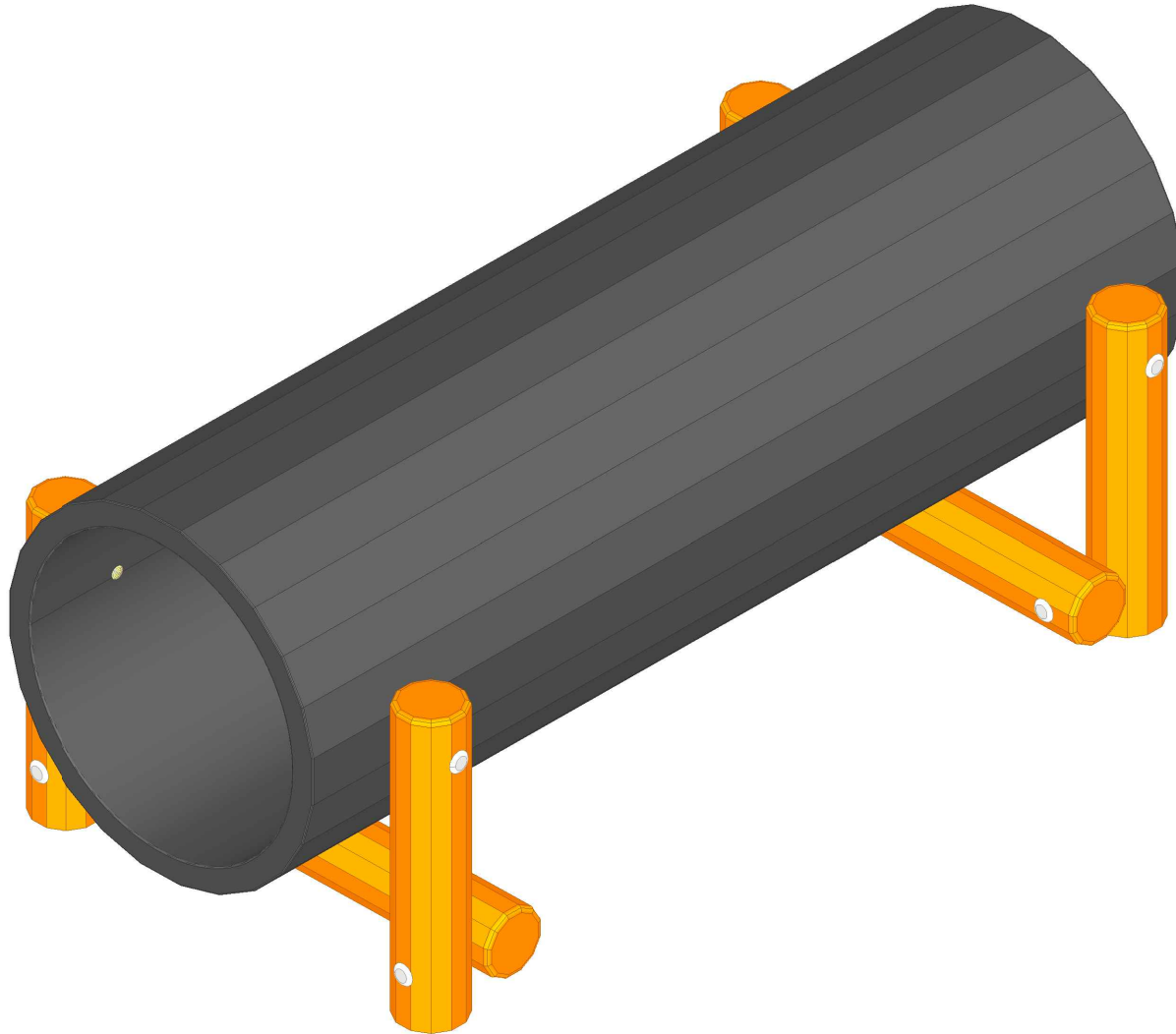
NORLEG - 3D

Kravlerør

LE 20542


09.08.2004

REV. 16.12.2015

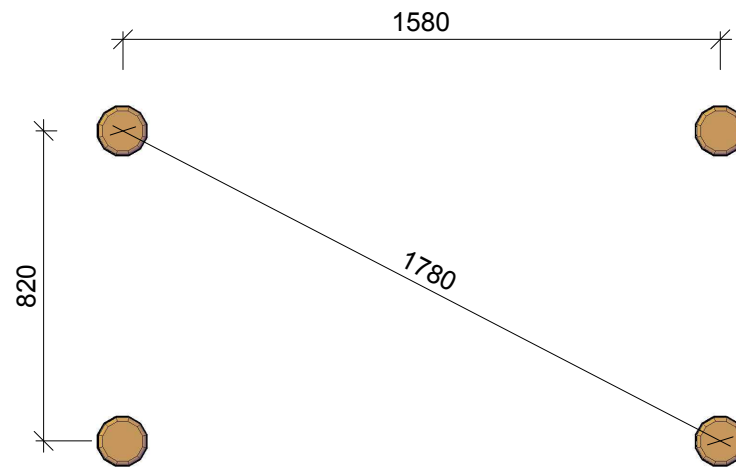


NORLEG - Mont.	
Kravlerør	
LE 20542	
09.08.2004	REV. 16.12.2015

< 850




≥ EN 1176



1:20

NORLEG - Mont.	
Kravlerør	
LE 20542	
09.08.2004	REV. 16.12.2015

< 850

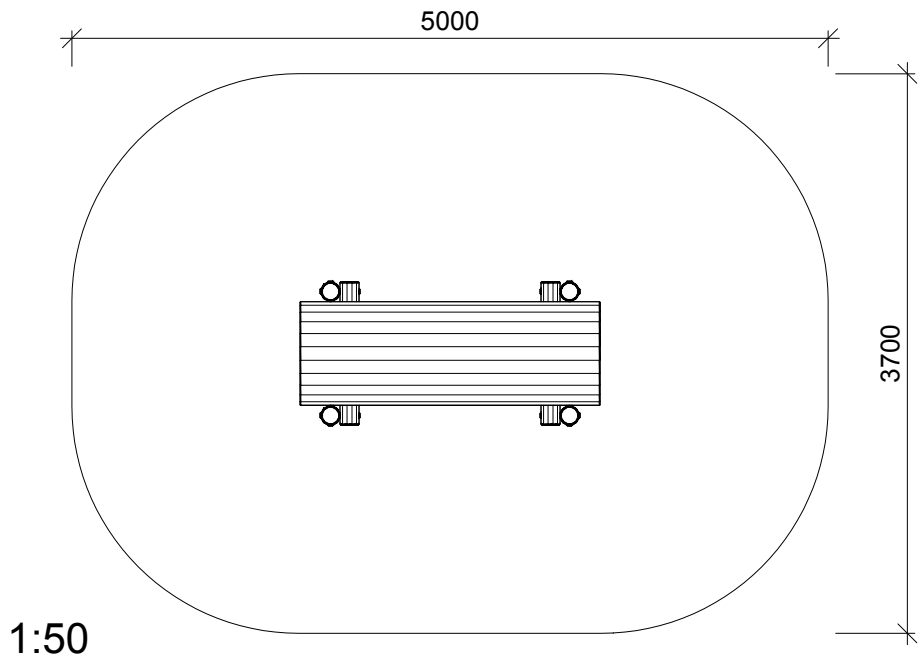
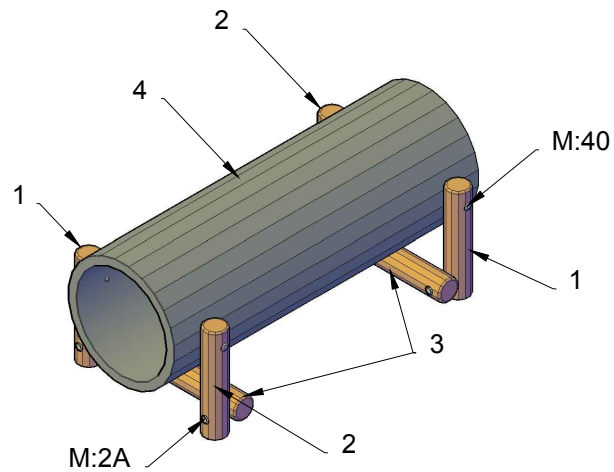
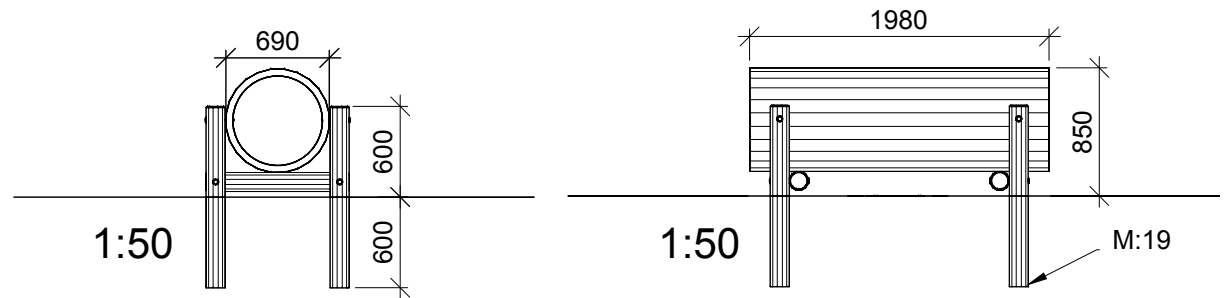


≥ EN 1176

Mont.p. nr.

2A
19
40

Parts list		
Mrk.	QTY	Part.no
1	2	120-140-1200-z
2	2	120-140-1200-z
3	2	120-140-950-z
4	1	LE 14020



This drawing is the property of NORLEG and pursuant to current legislation may not be copied, transferred to or used by any third party. Should this drawing be used, a fee of 10% of the assumed contract price will be charged.